

madimack

*inver***FLOW**

INNOVATION, PERFORMANCE AND EFFICIENCY



Powered by  **invermac**
TECHNOLOGY

Welcome to a new era of technology.

Madimack's range of products is designed to revolutionise the way you experience the world. With a steadfast focus on sustainability, innovation and enhanced user-features, we are proud to offer cutting-edge solutions that exceed your expectations.

At Madimack, we believe in a future where technology coexists harmoniously with the environment. That's why sustainability is at the core of everything we do. Our products are meticulously crafted to minimise their ecological footprint.

We are thrilled you chose Madimack to partner with. Together we will shape a more sustainable future.



Alex Welsh

Madimack Global CEO



Madimack's enhanced inverter technology, InverMAC, is engineered to support inverter motor operation. The inclusion of product specific proprietary technology allows for precise control of motor speed and energy usage across our range. InverMAC technology supports Madimack's overall position of unrivalled innovation, sustainability and performance. By incorporating inverter motor technology in creative and unique ways, Madimack is leading the way in the development of energy-efficient products.

INVERMAC ENHANCED INVERTER TECHNOLOGY

Madimack's advanced InverMAC technology optimises the efficiencies of your pool pump. It combines full inverter technology, volute hydraulic system and DC brushless motor with intelligent operation. Additional benefits include the reduction of operation noise by more than 30x. Providing an almost silent experience. In comparison to basic pool pumps, the InverFLOW performs up to 90% better in energy efficiencies.



INDICATIVE FIVE YEAR COST COMPARISON



InverFLOW



Single speed pump



Money Saved

Approximate Retail Price

\$895

\$700

Energy Cost

\$246

\$937

Total Cost Year 1

\$1141

\$1637

\$496

Energy Cost

\$246

\$937

Total Cost Year 2

\$1387

\$2574

\$1187

Energy Cost

\$246

\$937

Total Cost Year 3

\$1633

\$3511

\$1878

Energy Cost

\$246

\$937

Total Cost Year 4

\$1879

\$4448

\$2569

Energy Cost

\$246

\$937

Total Cost Year 5

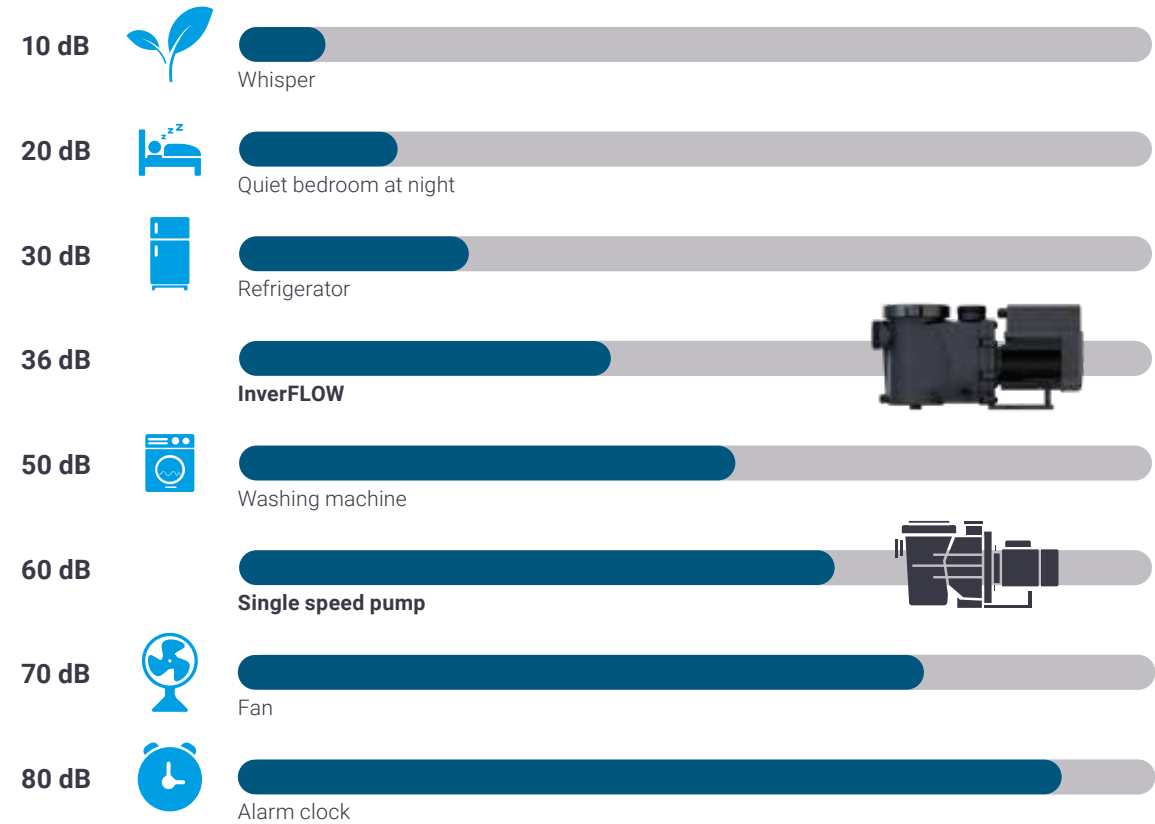
\$2125

\$5385

\$3260

Disclaimer: Product price is indicative RRP only. Energy costs are based on a 50,000L pool running 8 hours per day with electricity pricing of 30c per kW.

NOISE DOWN TO 36 dB



DELIVERING A NEW STANDARD IN INNOVATION & EFFICIENCY FOR POOL PUMPS



4 Timers for
daily operation



Running capacity
from 30%~100%



Active Energy
Monitor





SMART AND SIMPLE INTERFACE



Multi-Function Options

To control your pump with more choice



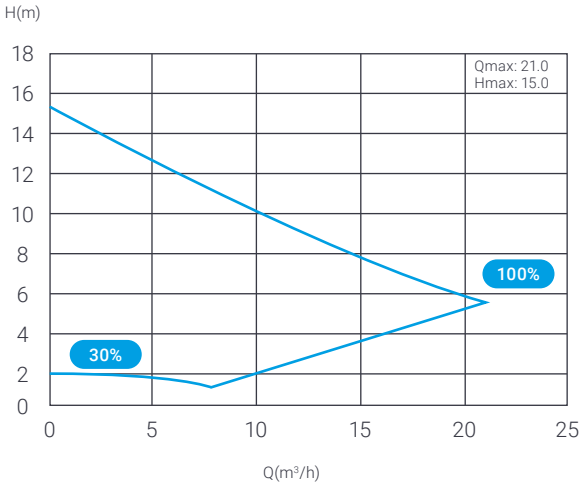
InverMAC Technology

For increased efficiency and to reach silent performance

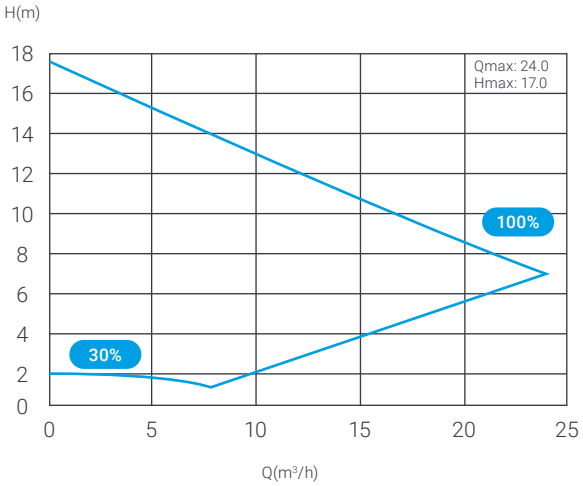
TECHNICAL PARAMETERS

	Advised pool volume (m ³)	P1 (kW/HP)	Voltage (V/Hz)	Qmax (m ³ /h)	Hmax (m)	Circulation Flow (m ³ /h)	
						8m	10m
F300i	30~70	0.75/1HP	220~240 / 50/60	350	16.0	300	230
F400i	50~100	1.0/1.05HP		425	18.0	370	300

Performance Curve



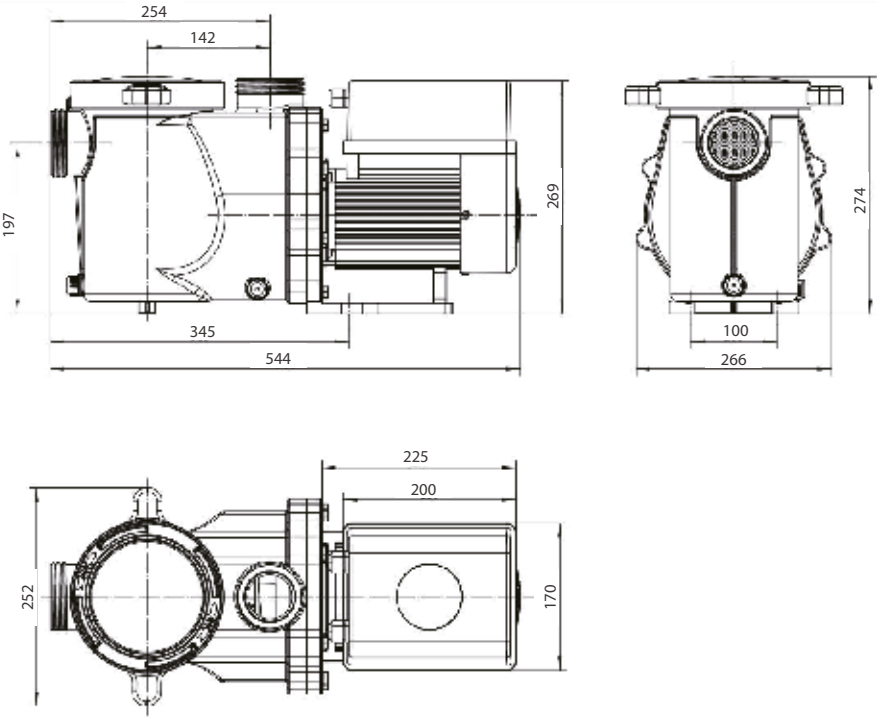
F300i



F400i

Dimension

Model	Packing Dimension (mm)	Weight (kg) Gross / Net
F300i/F400i	585*255*325	15 / 11



madimack

